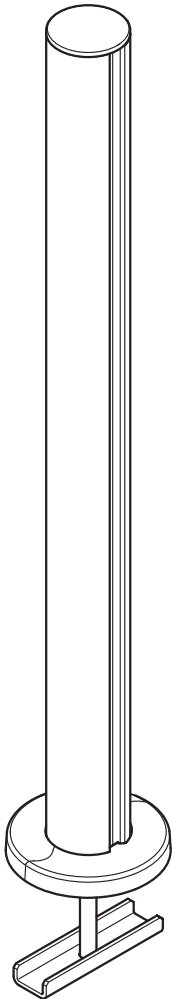
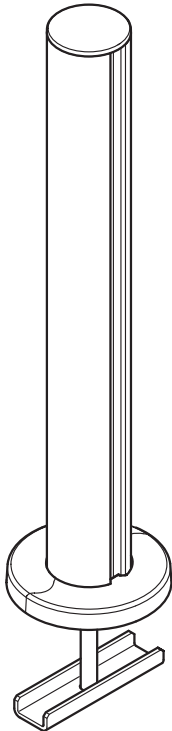




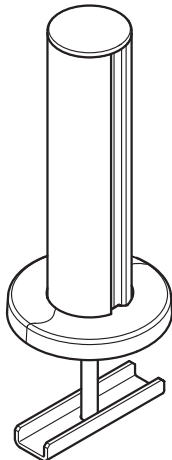
NOVUS[®] Retail-System



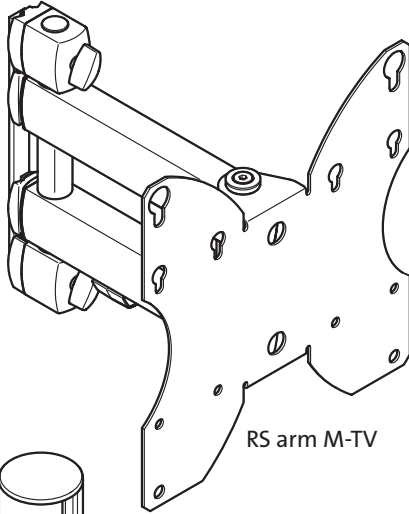
Base 600



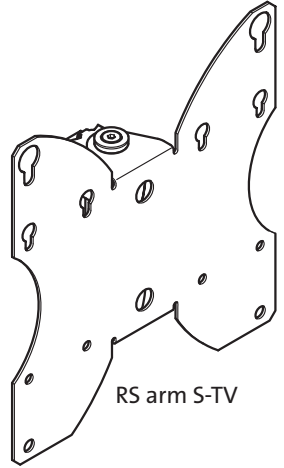
Base 400



Base 200

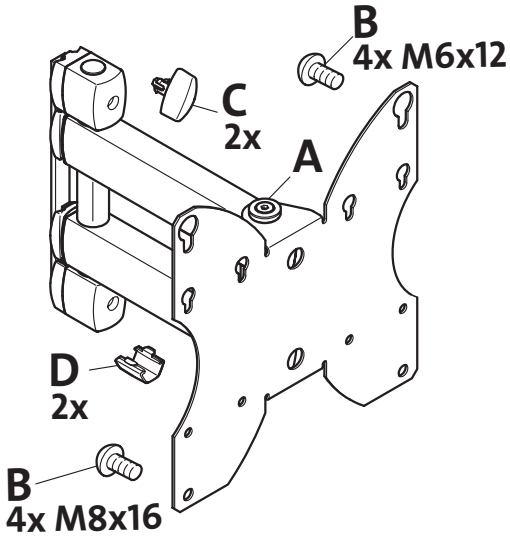


RS arm M-TV

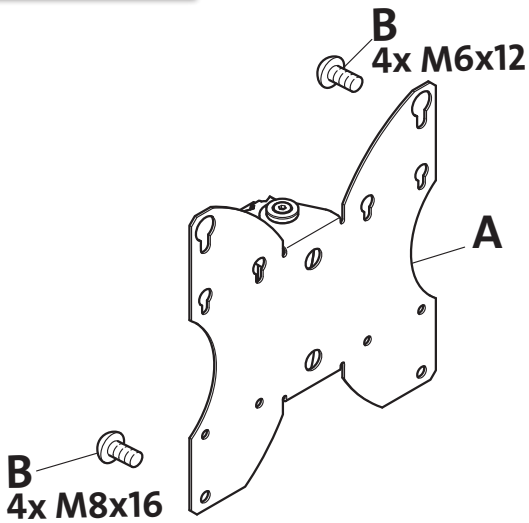


RS arm S-TV

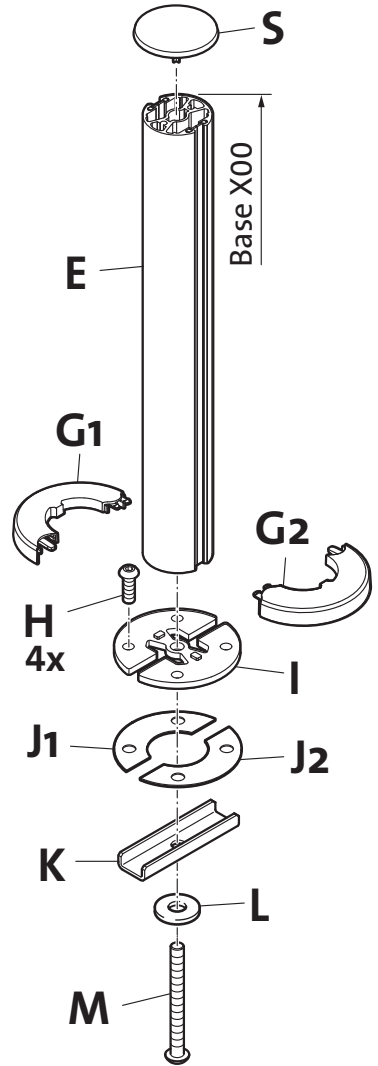
RS arm M-TV



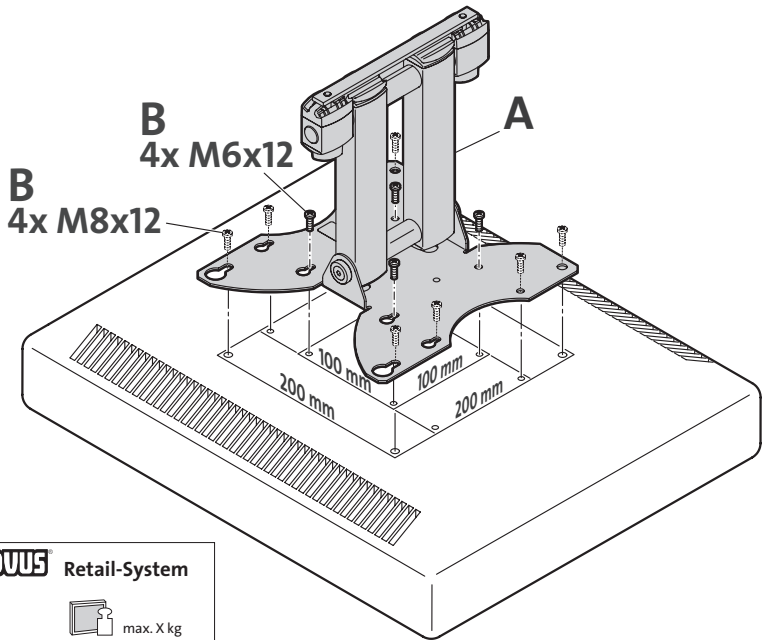
RS arm S-TV



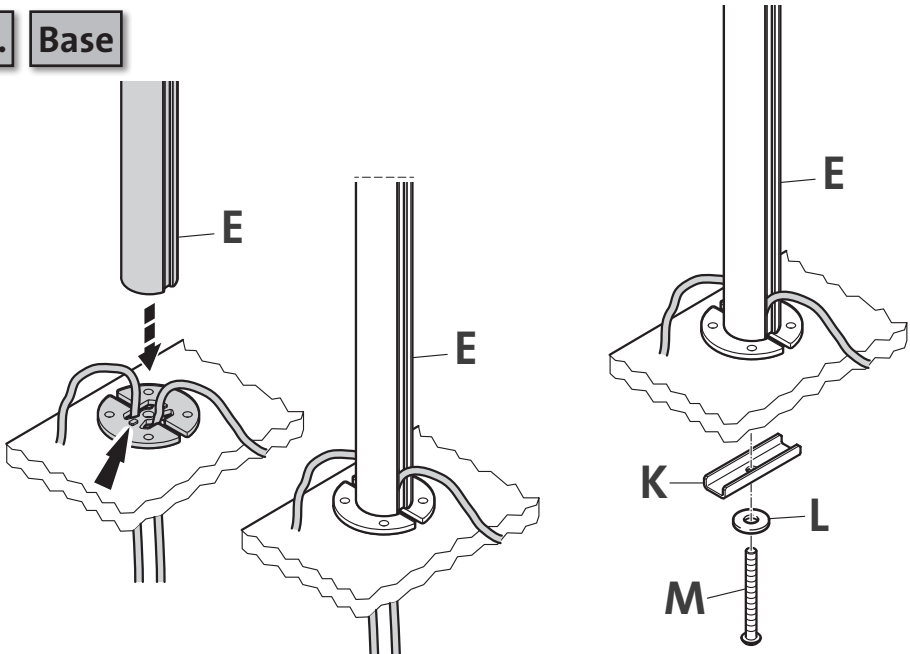
Base

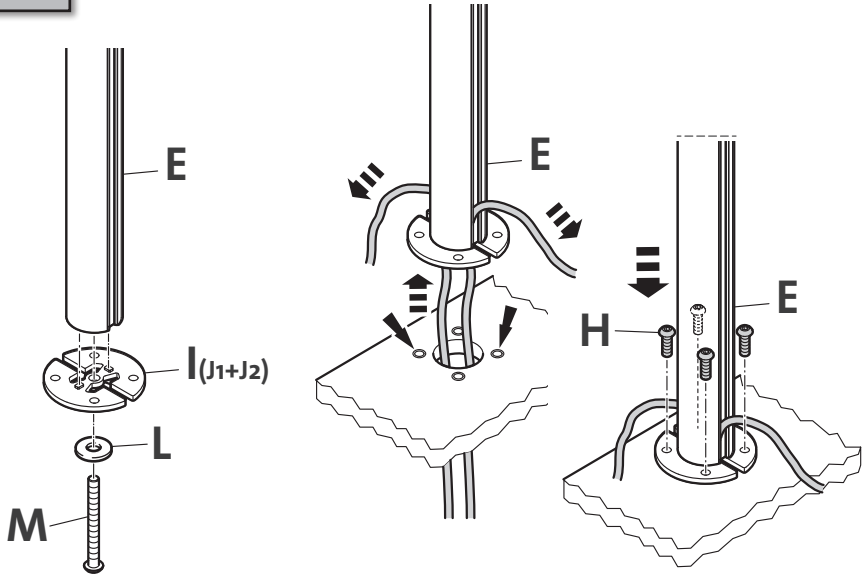
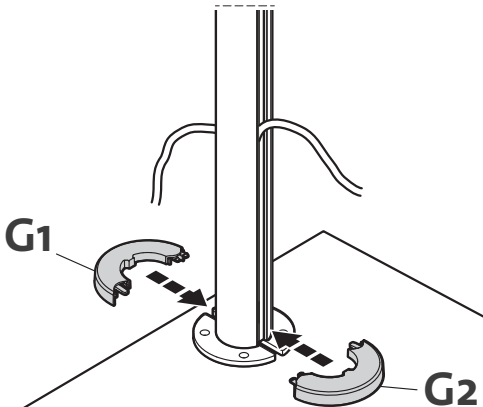
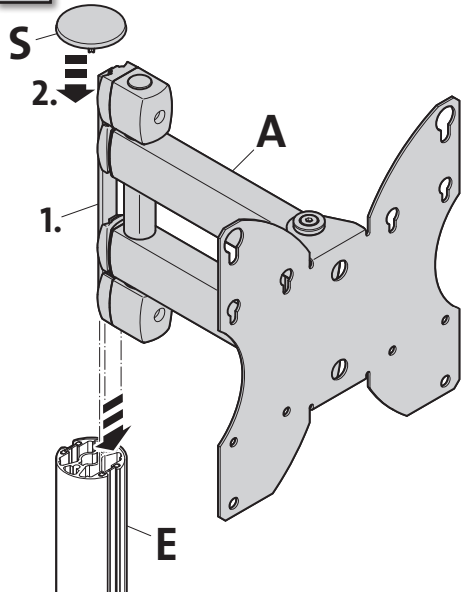


1. arm

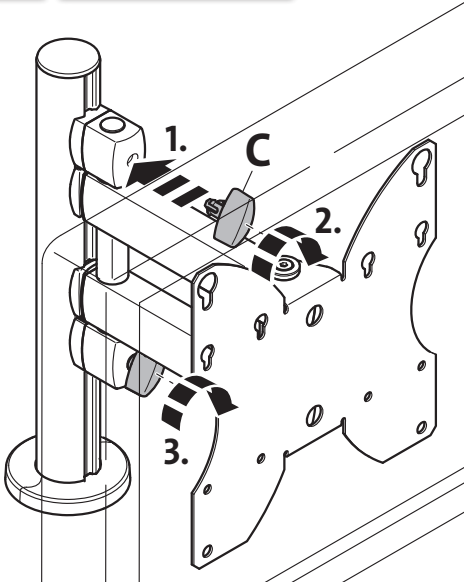


1a. Base

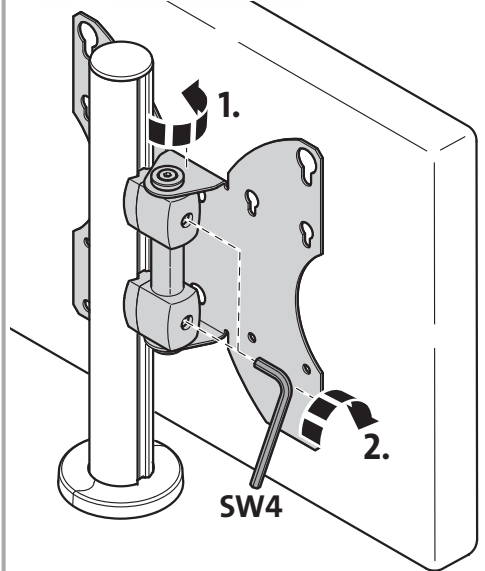


1b. Base

2. Base

3.


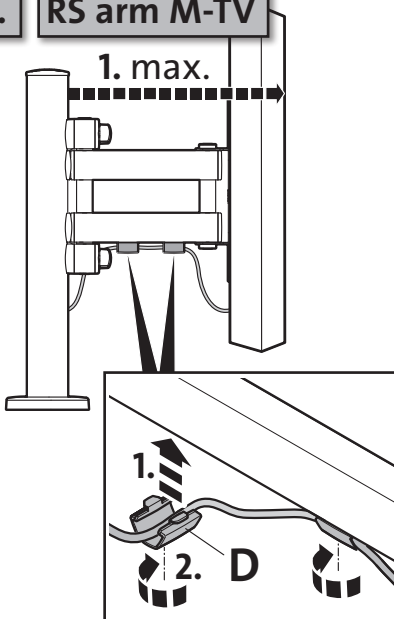
4. RS arm M-TV



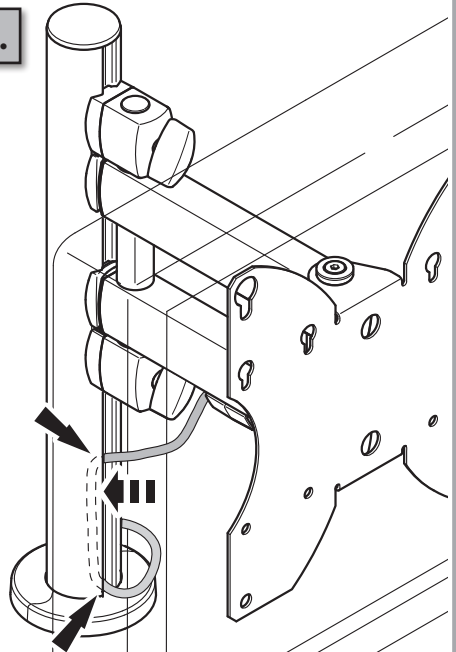
4. RS arm S-TV



5. RS arm M-TV

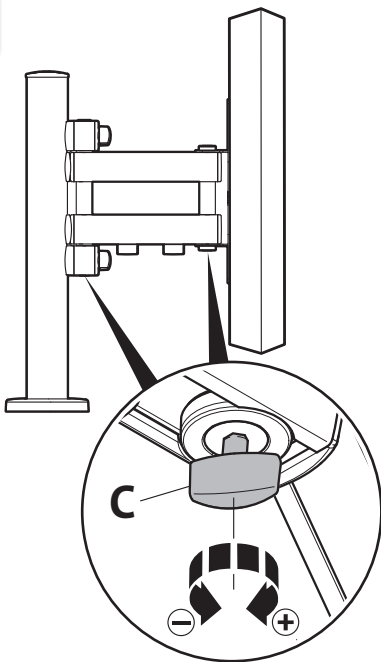


6.

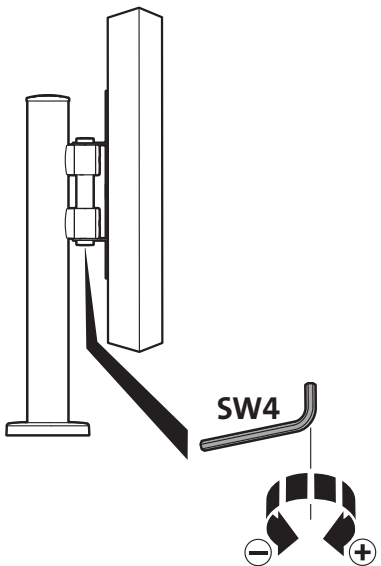




RS arm M-TV

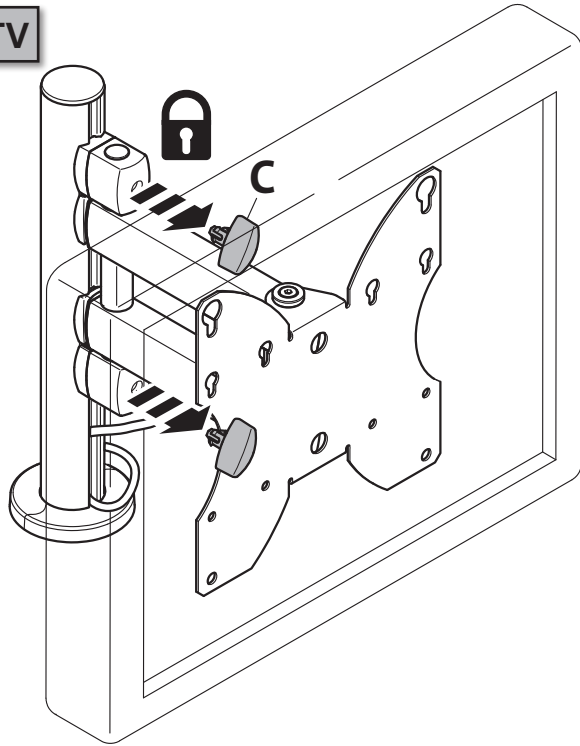


RS arm S-TV





RS arm M-TV



Headquarters:

Novus Dahle GmbH & Co. KG
Breslauer Straße 34-38
49808 Lingen
Germany

Service contact:

Novus Dahle GmbH & Co. KG
Hessenweg 53
49811 Lingen
Germany
Tel.: +49 (0) 591 9140-457
Fax: +49 (0) 591 9140-841
E-Mail: info@novus.de
Web: www.novus.de

© Copyright 2017 by Novus Dahle GmbH & Co. KG

NOVUS[®]
www.novus.de