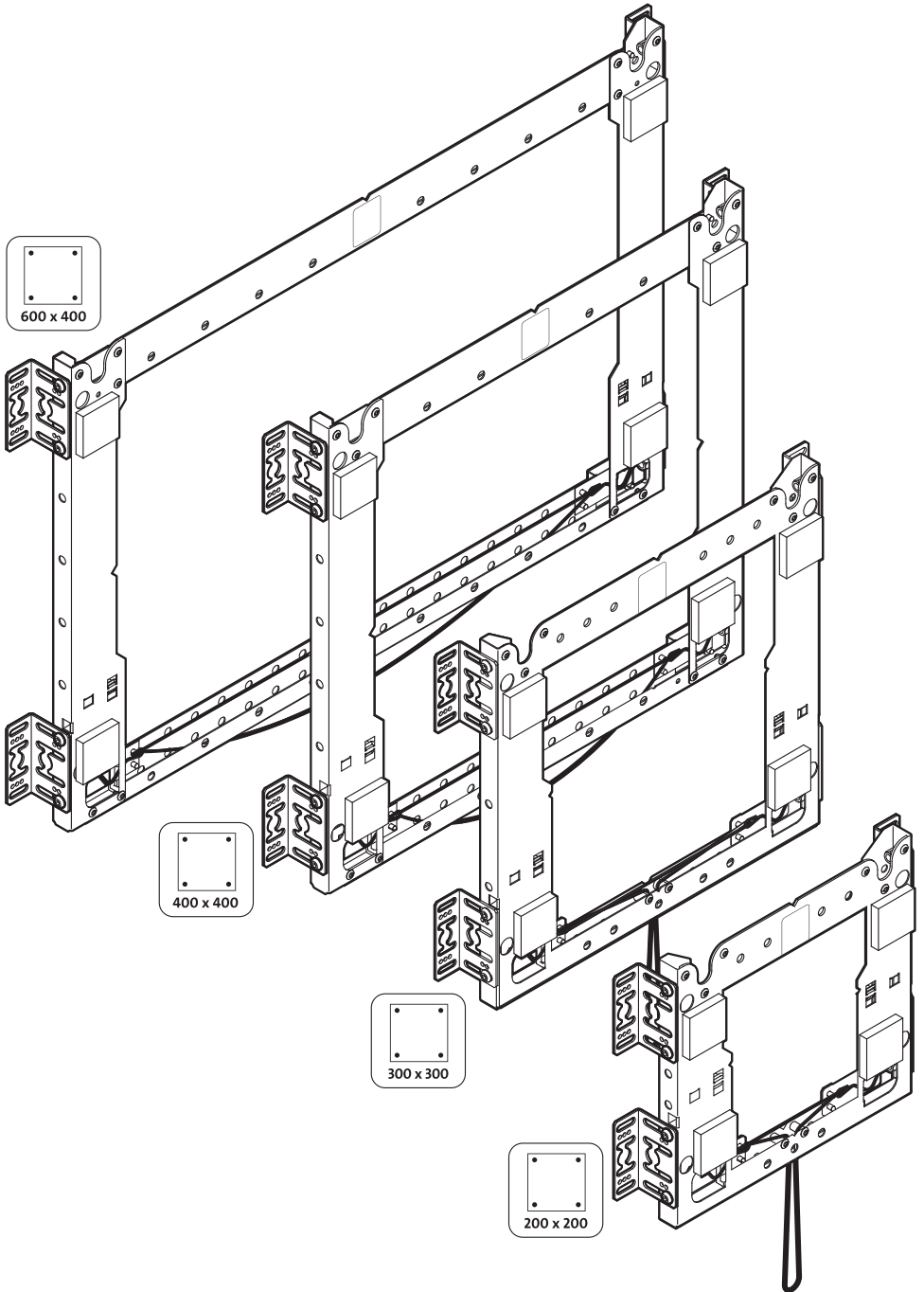
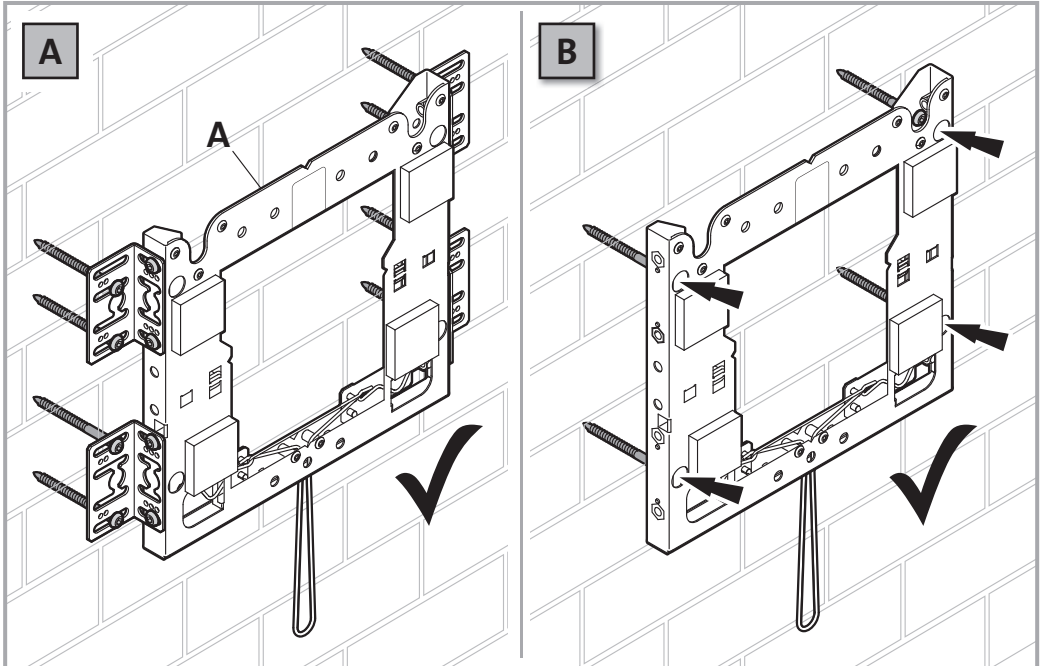
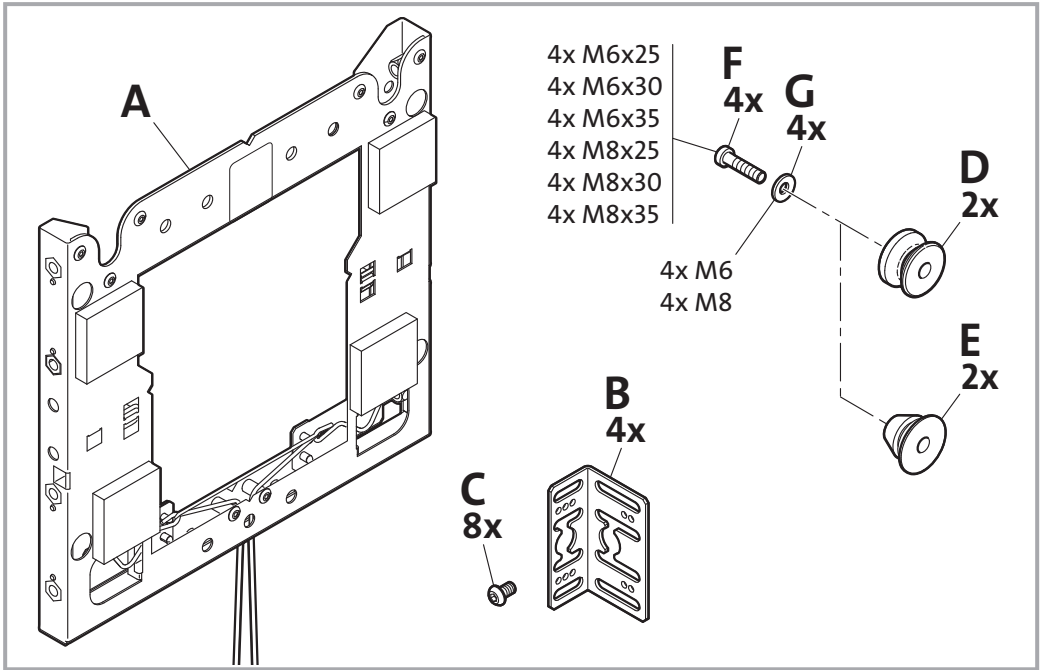
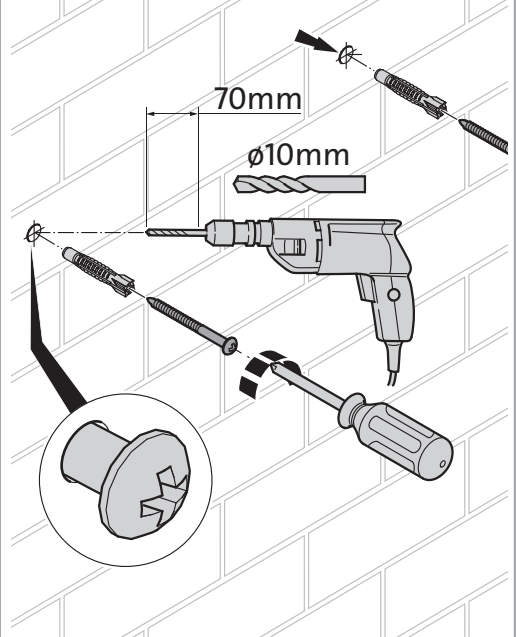
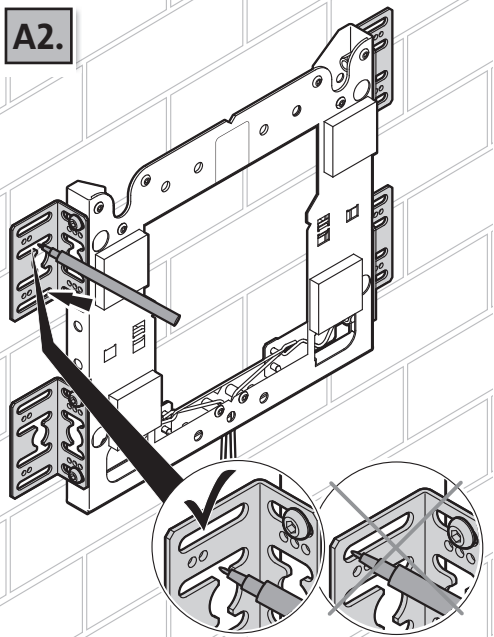
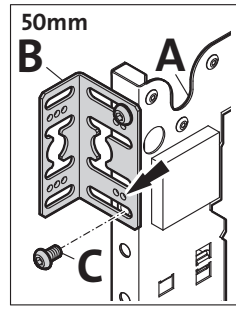
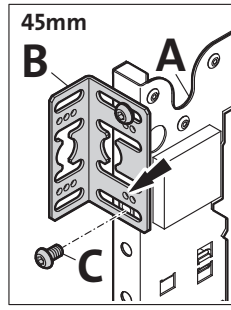
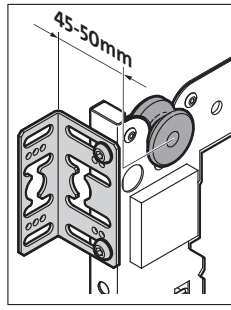
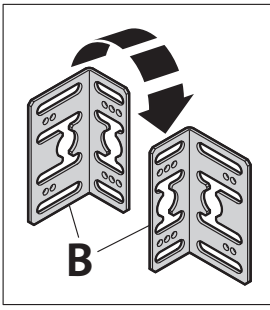
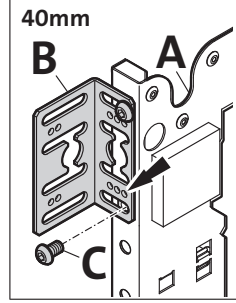
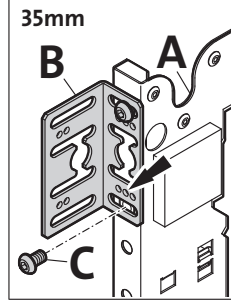
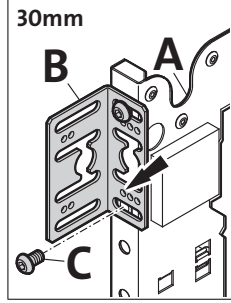
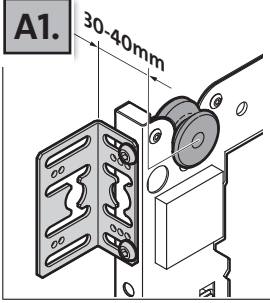


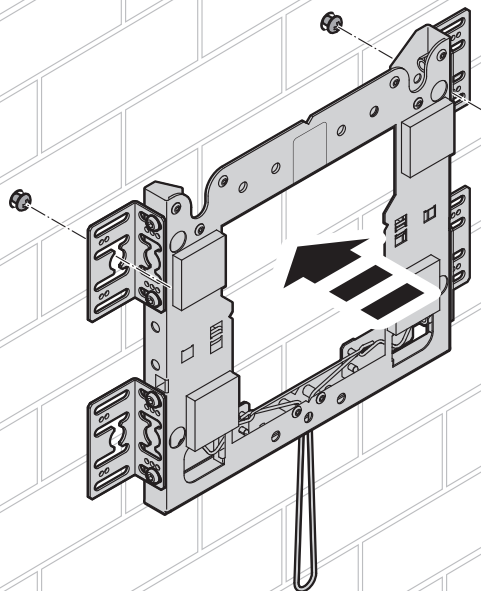
# NOVUS<sup>®</sup> ScreenMaster Frame



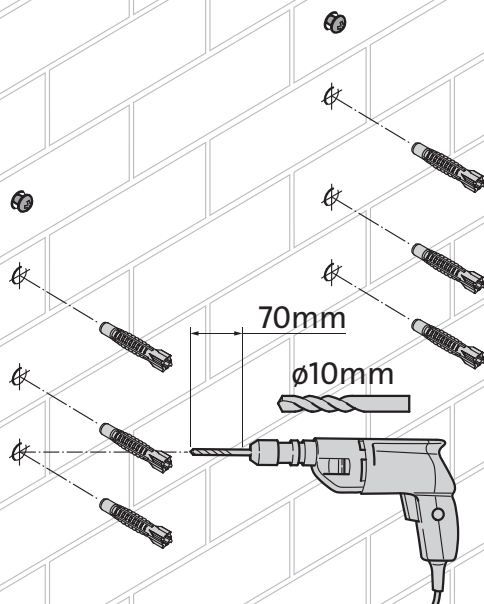
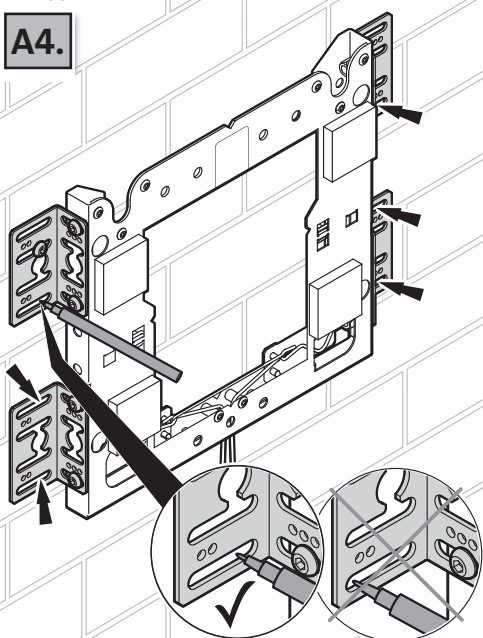




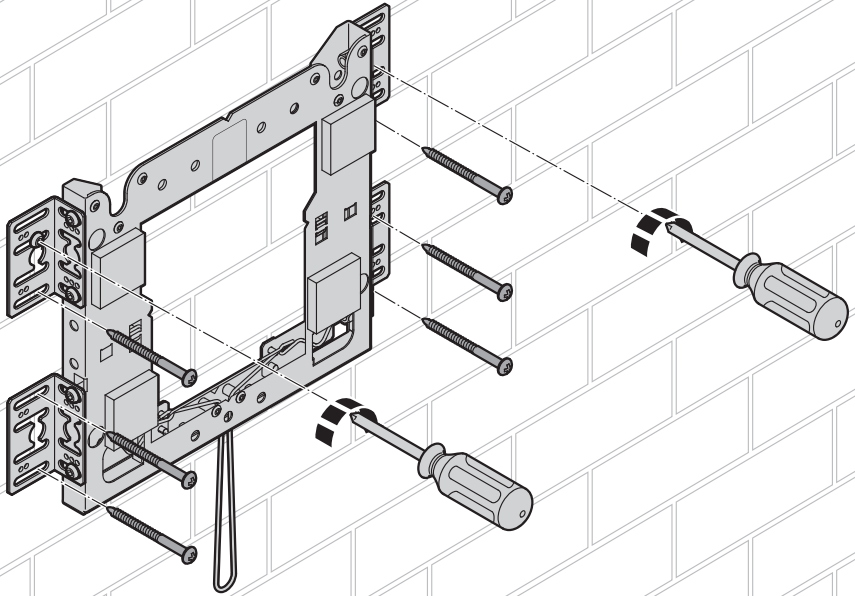
A3.



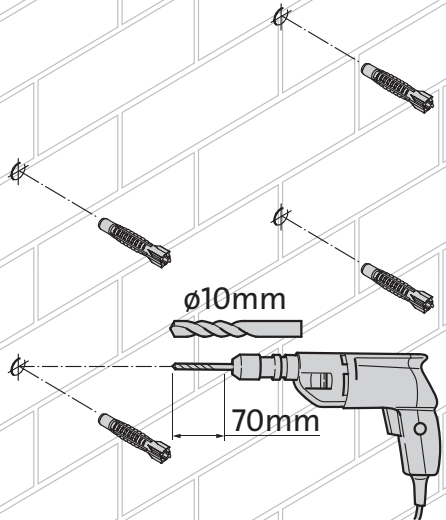
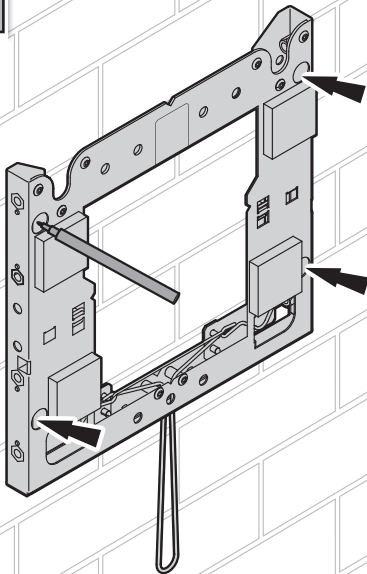
A4.

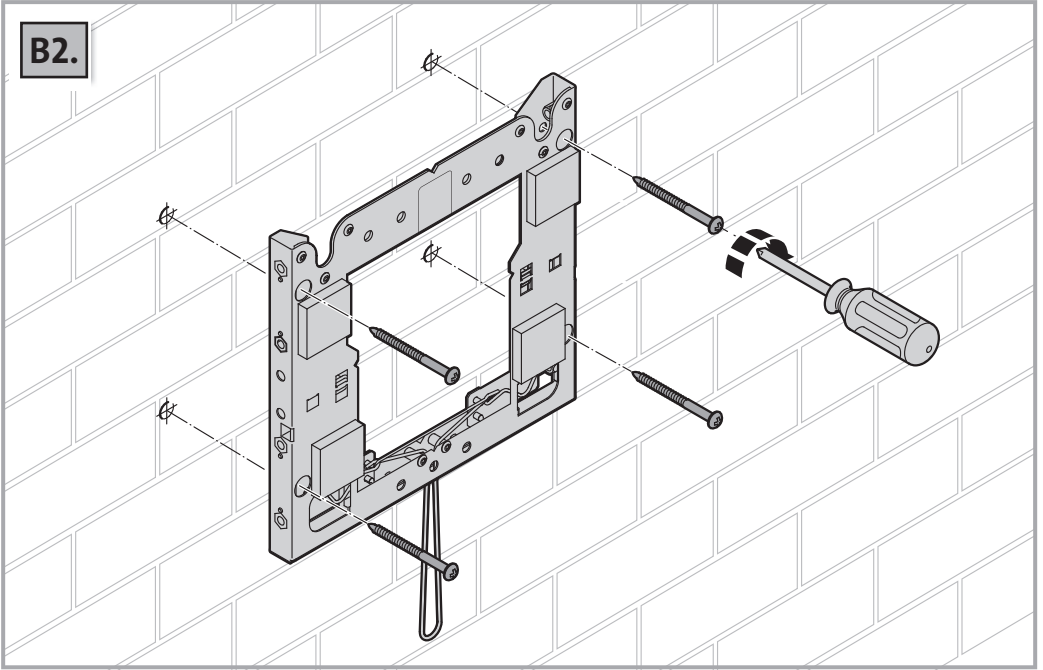
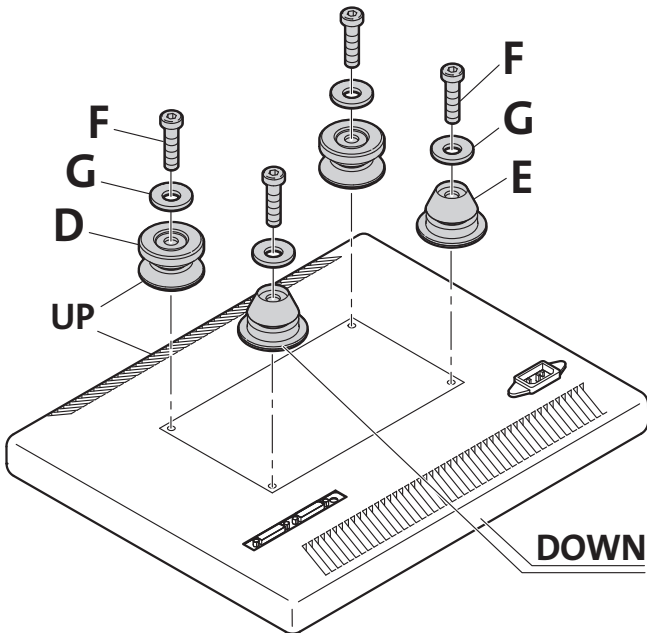


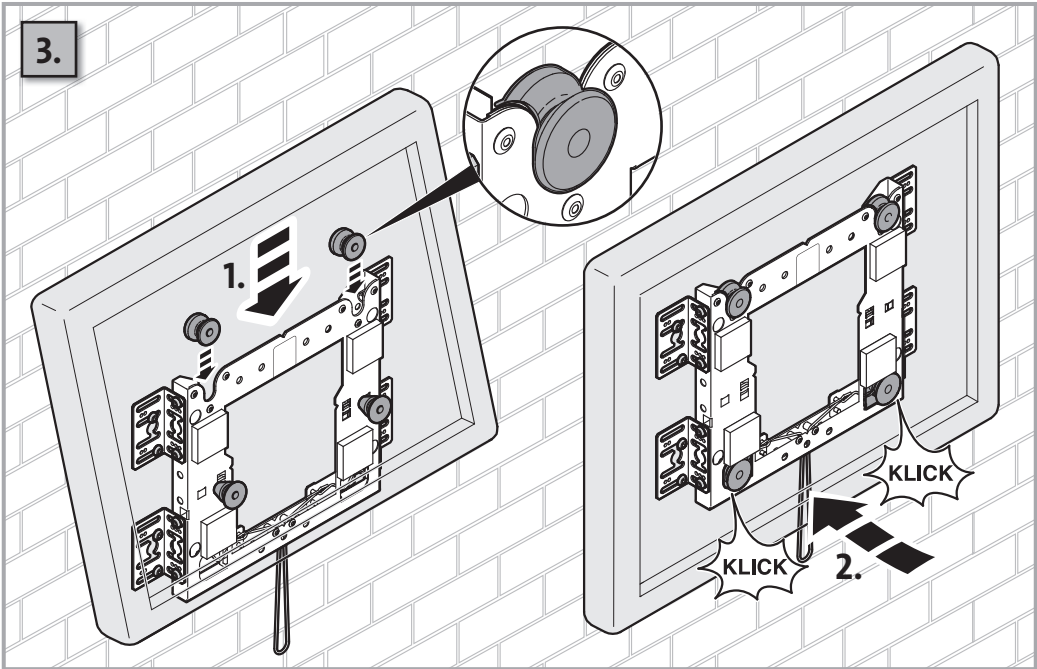
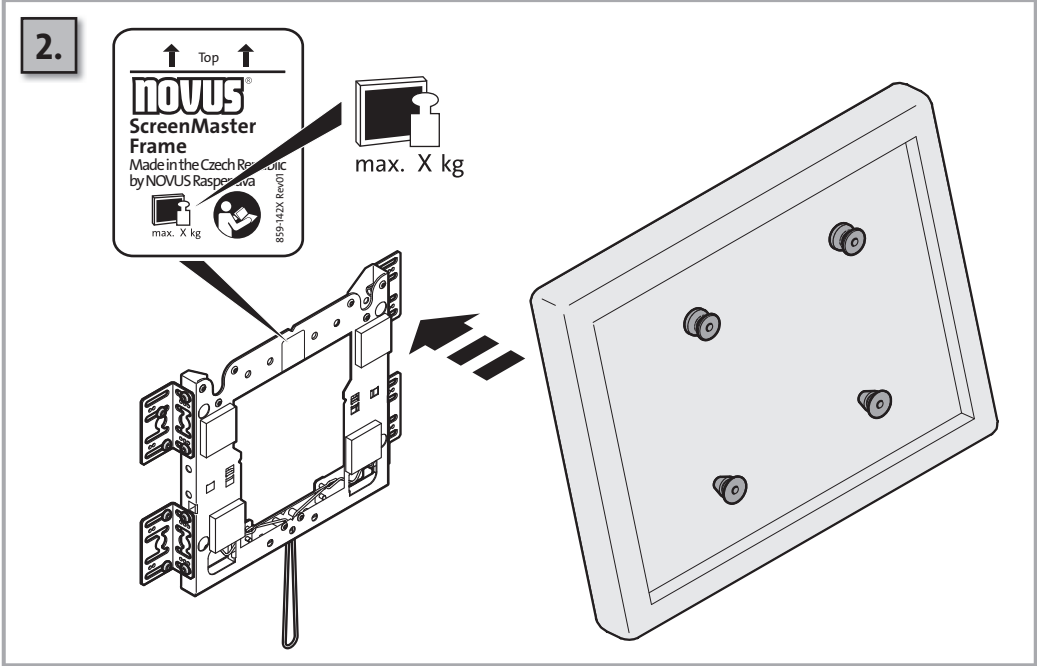
A5.

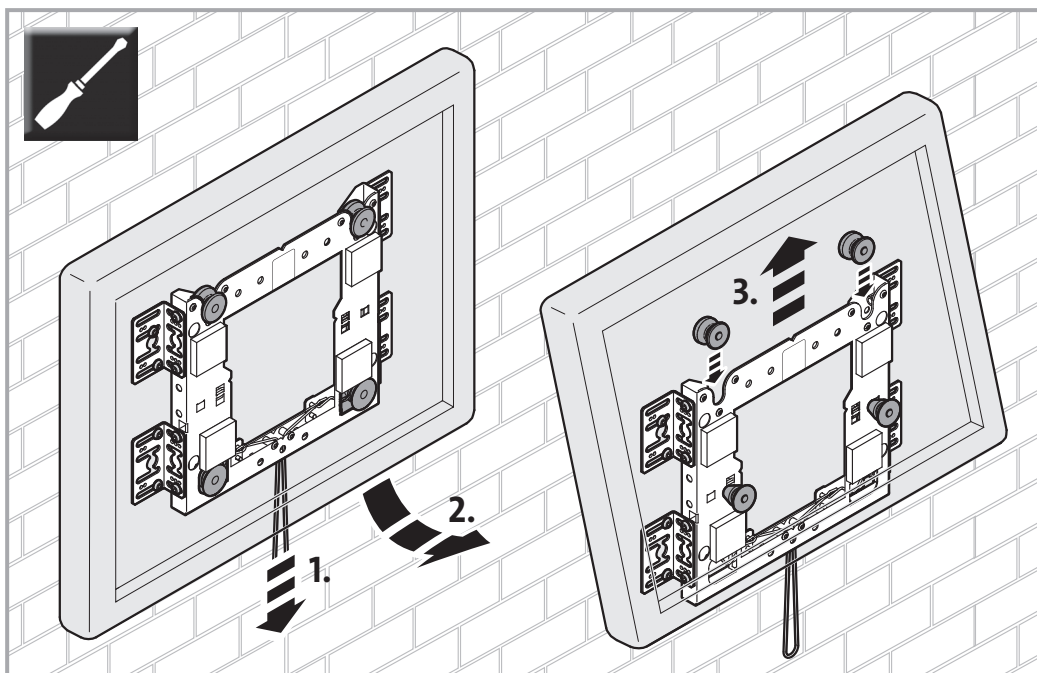


B1.



**B2.****1.**





#### Headquarters:

Novus Dahle GmbH & Co. KG  
Breslauer Straße 34-38  
49808 Lingen (Ems)  
Germany

#### Service contact:

Novus Dahle GmbH & Co. KG  
Hessenweg 53  
49811 Lingen (Ems)  
Germany  
Tel.: +49 (0) 591 9140-457  
Fax: +49 (0) 591 9140-841  
E-Mail: [info@novus-dahle.com](mailto:info@novus-dahle.com)  
Web: [www.novus-dahle.com](http://www.novus-dahle.com)

© Copyright 2018 by Novus Dahle GmbH & Co. KG

**NOVUS**<sup>®</sup>  
[www.novus-dahle.com](http://www.novus-dahle.com)