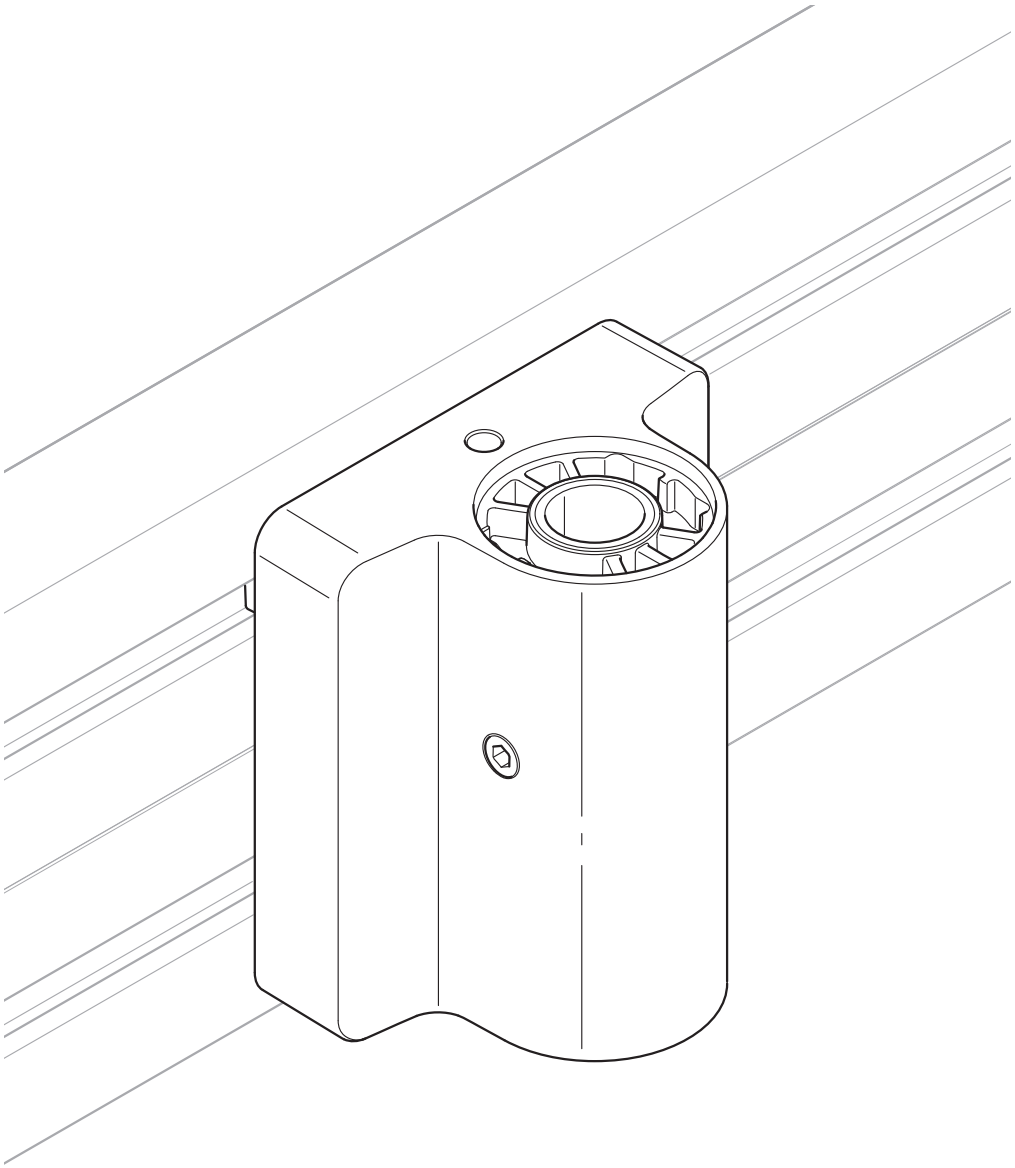
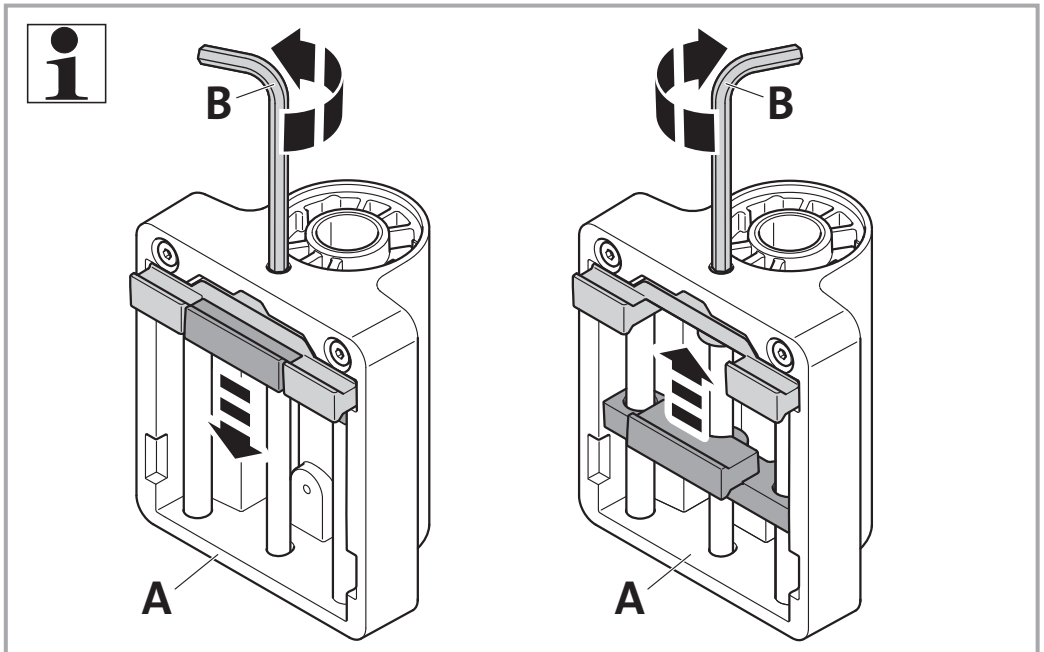
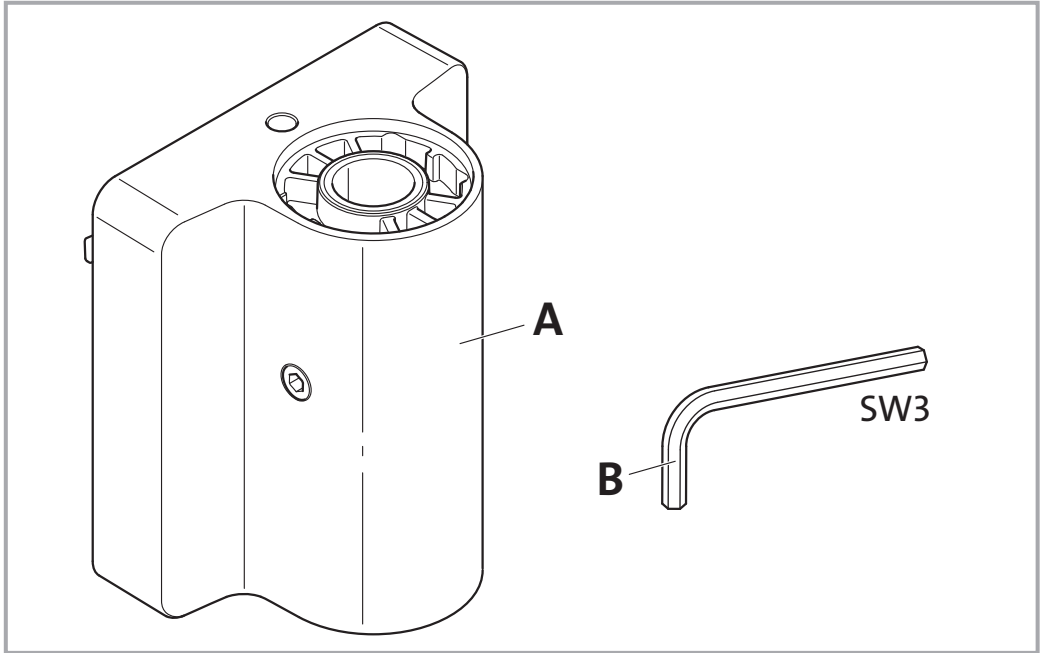




novus® **Attenzia slatwall adapter**



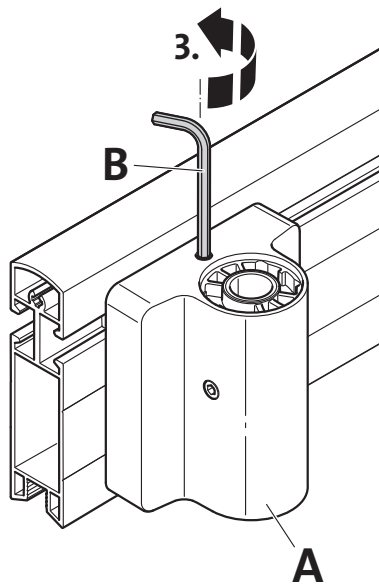
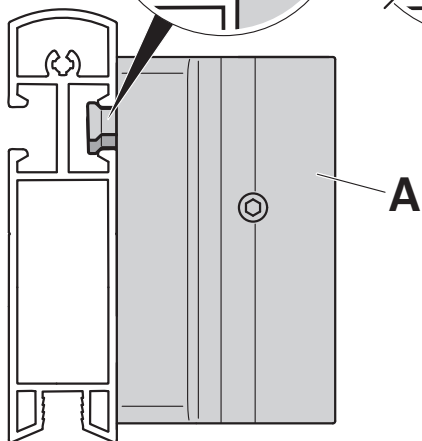
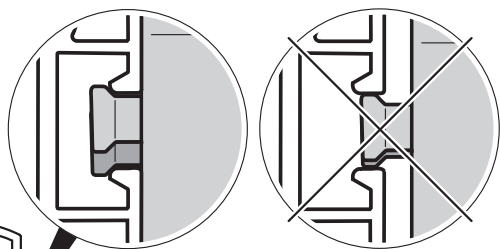
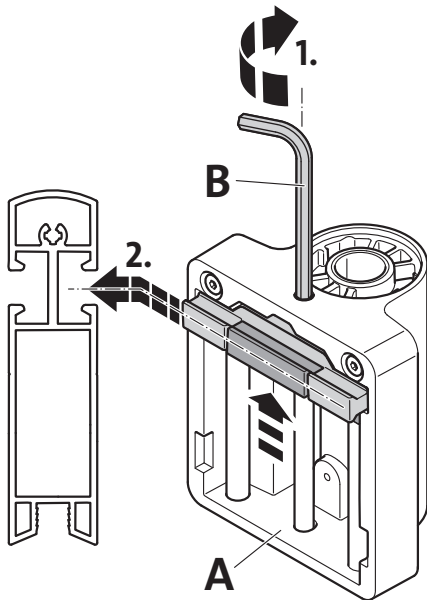
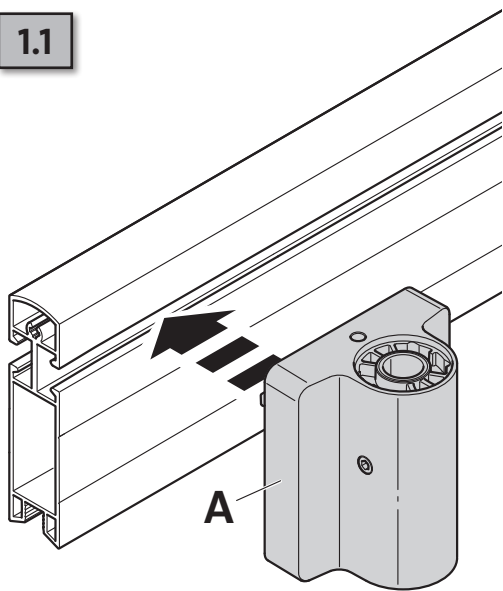


1.



NOVUS® Attenzia slatwall adapter

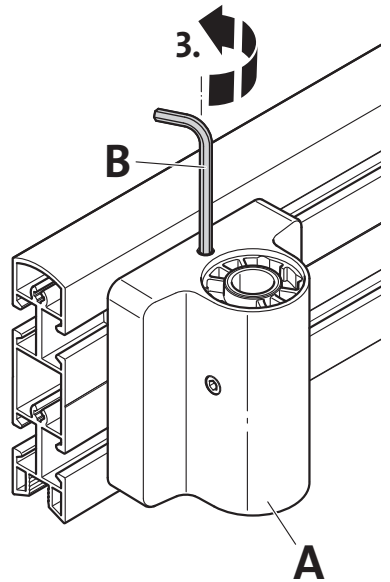
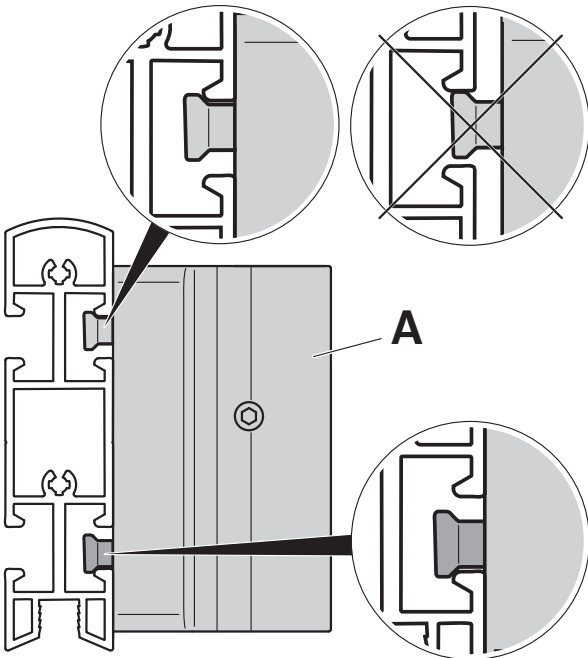
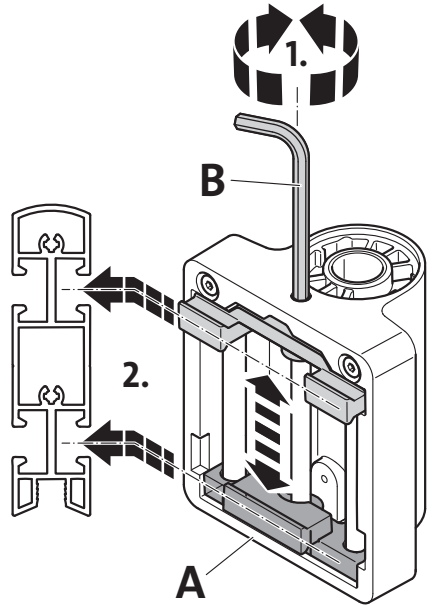
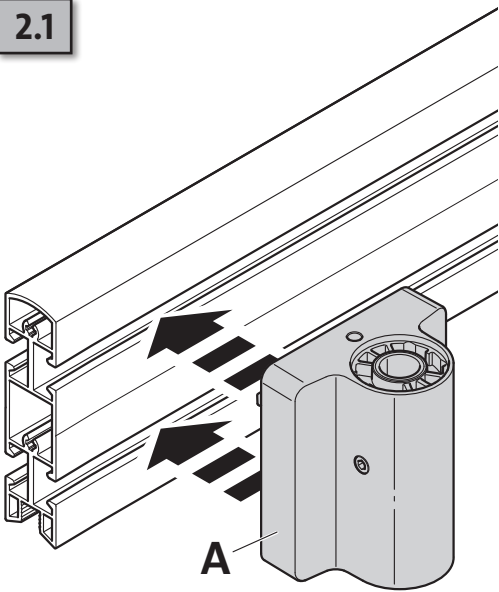
1.1



2.

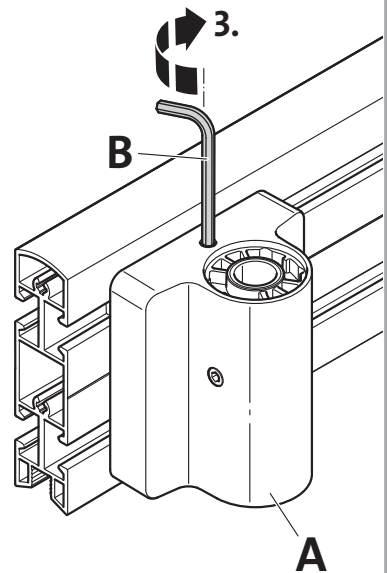
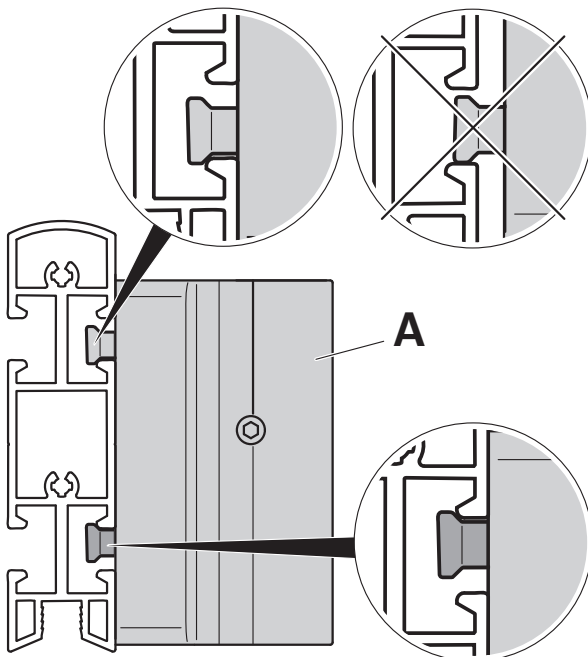
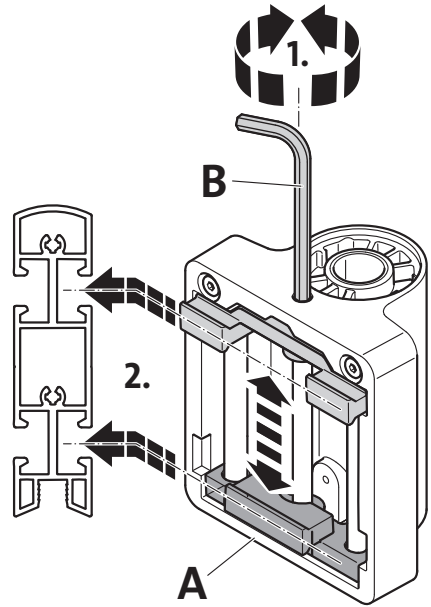
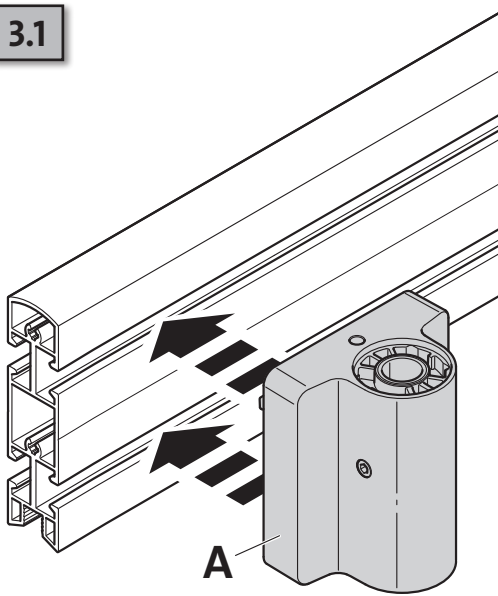


2.1





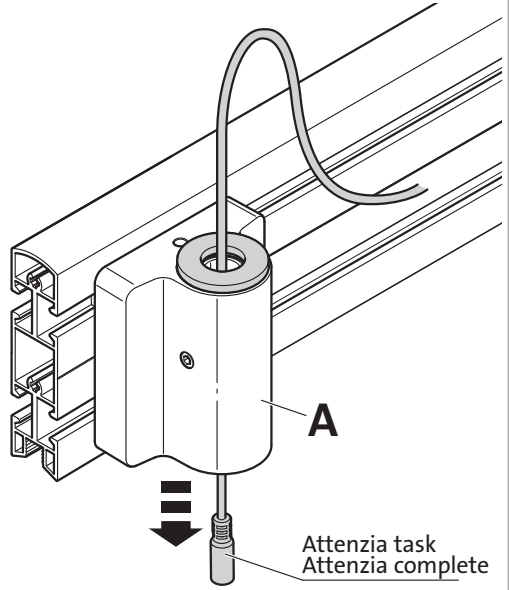
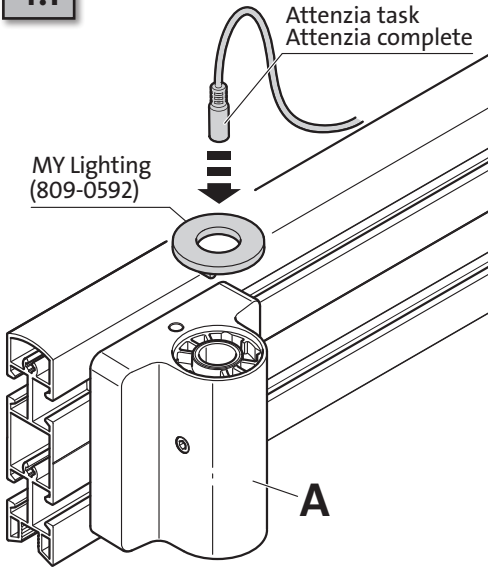
3.1



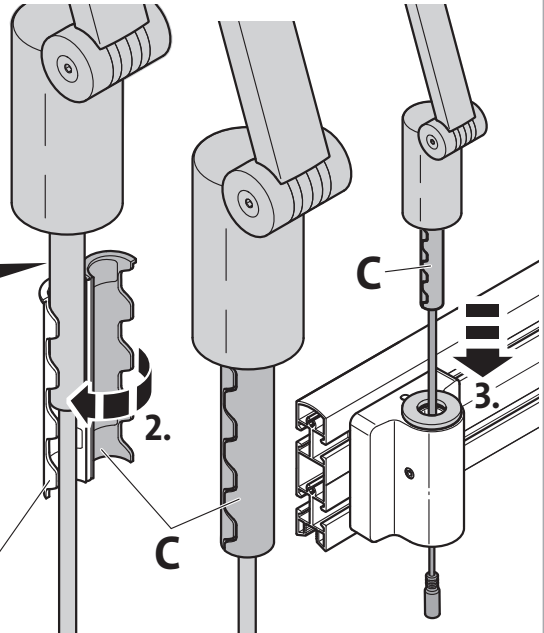
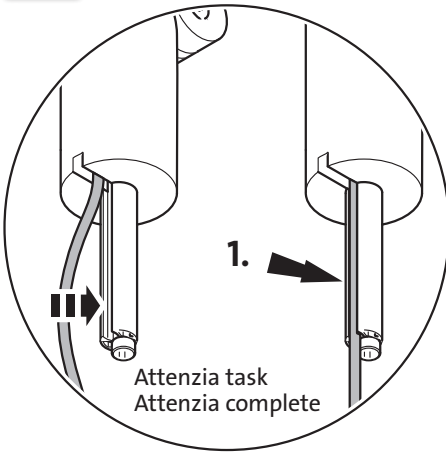
4.



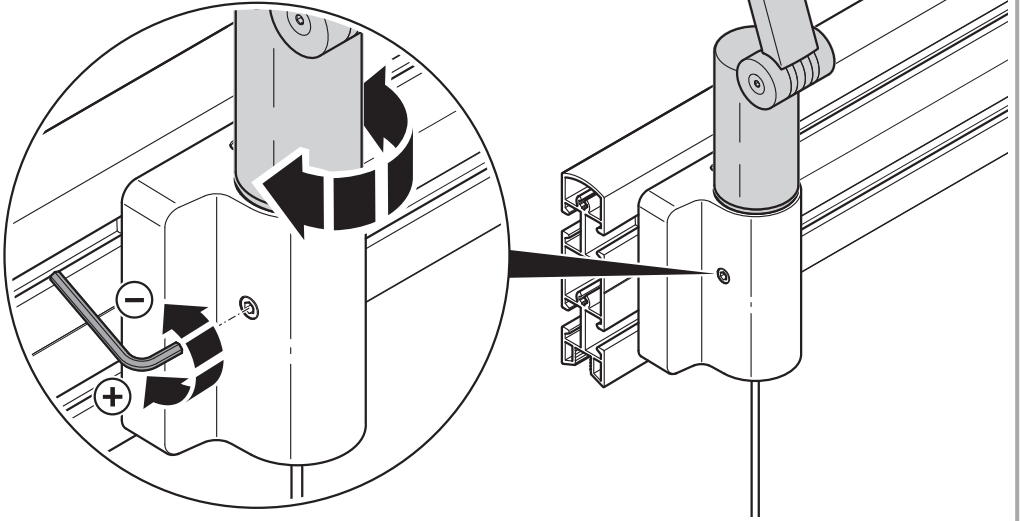
4.1



4.2



4.3



Headquarters:

Novus Dahle GmbH & Co. KG
Breslauer Straße 34-38
49808 Lingen
Germany

Service contact:

Novus Dahle GmbH & Co. KG
Hessenweg 53
49811 Lingen
Germany
Tel.: +49 (0) 591 9140-457
Fax: +49 (0) 591 9140-841
E-Mail: info@novus.de
Web: www.novus.de

© Copyright 2017 by Novus Dahle GmbH & Co. KG

NOVUS[®]
www.novus.de