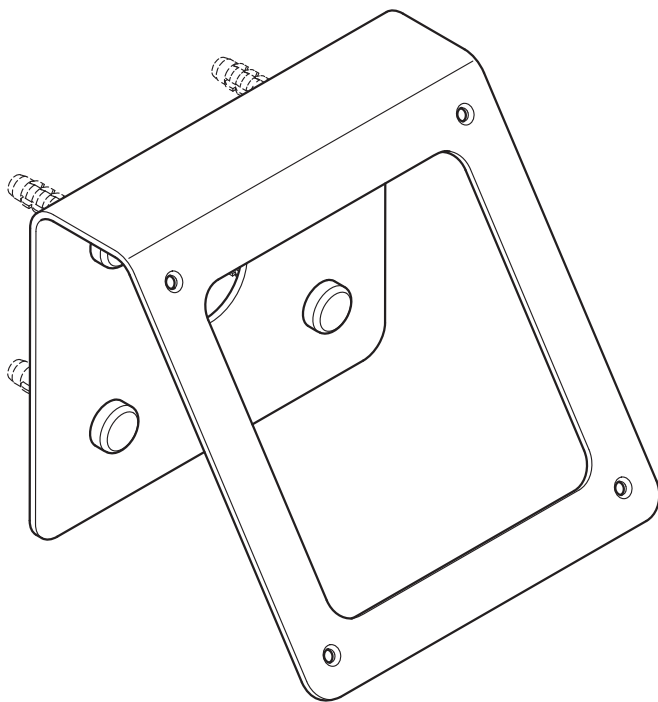
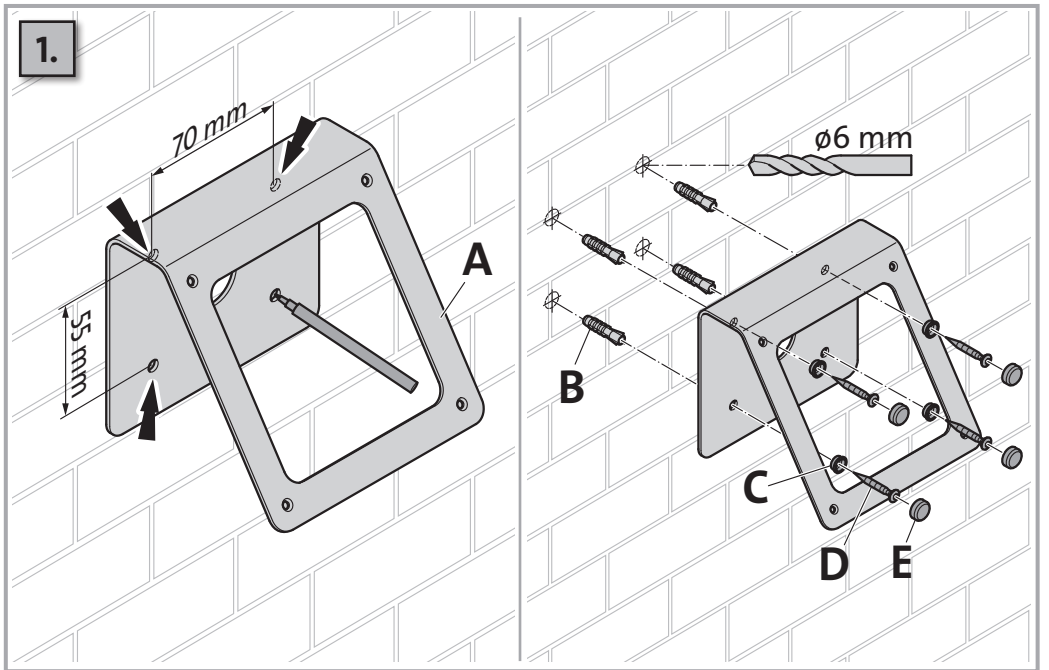
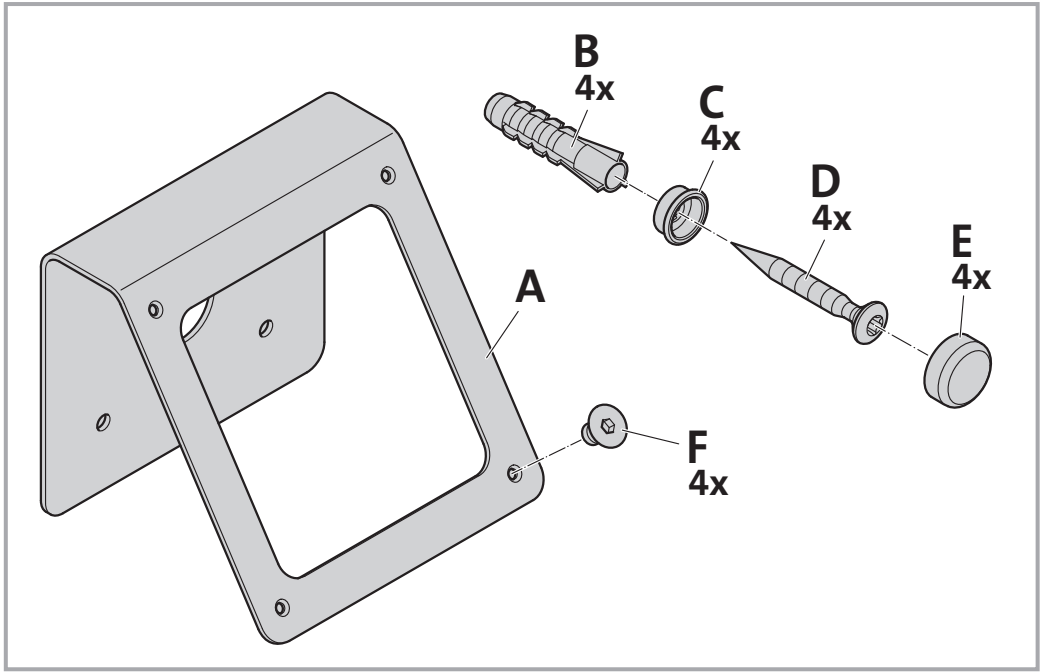




novus[®] RetailSystem wall mount

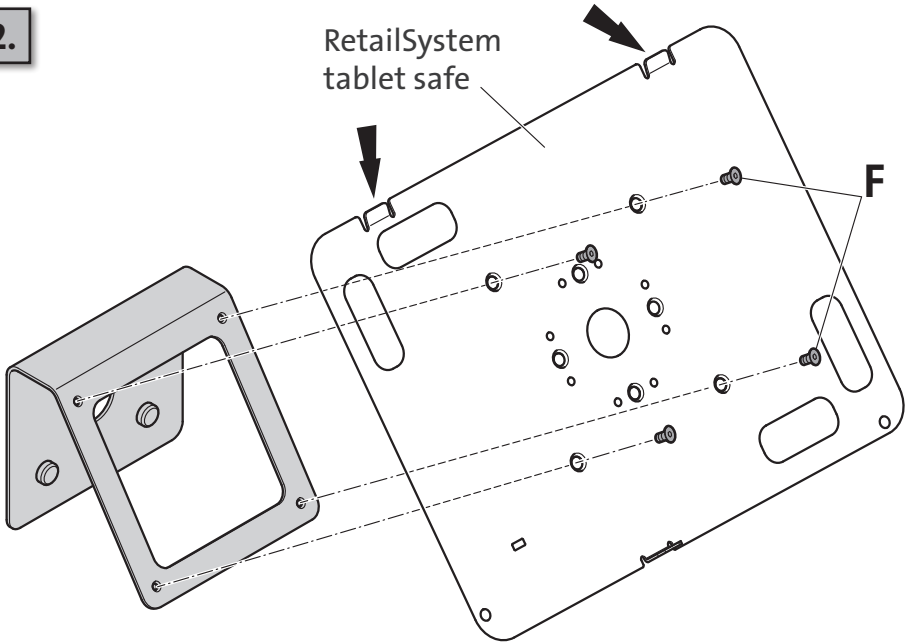




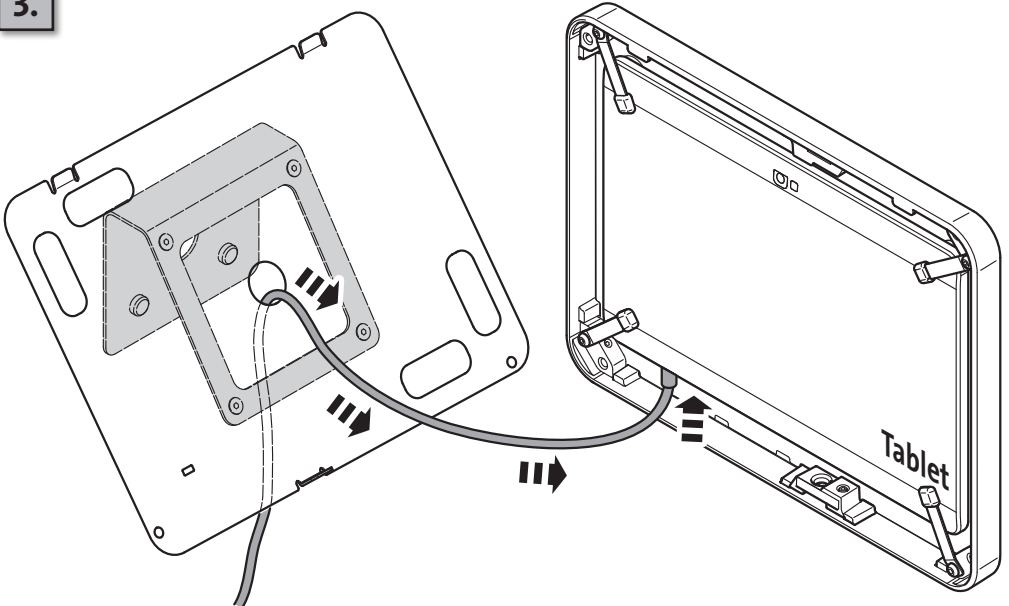
2.

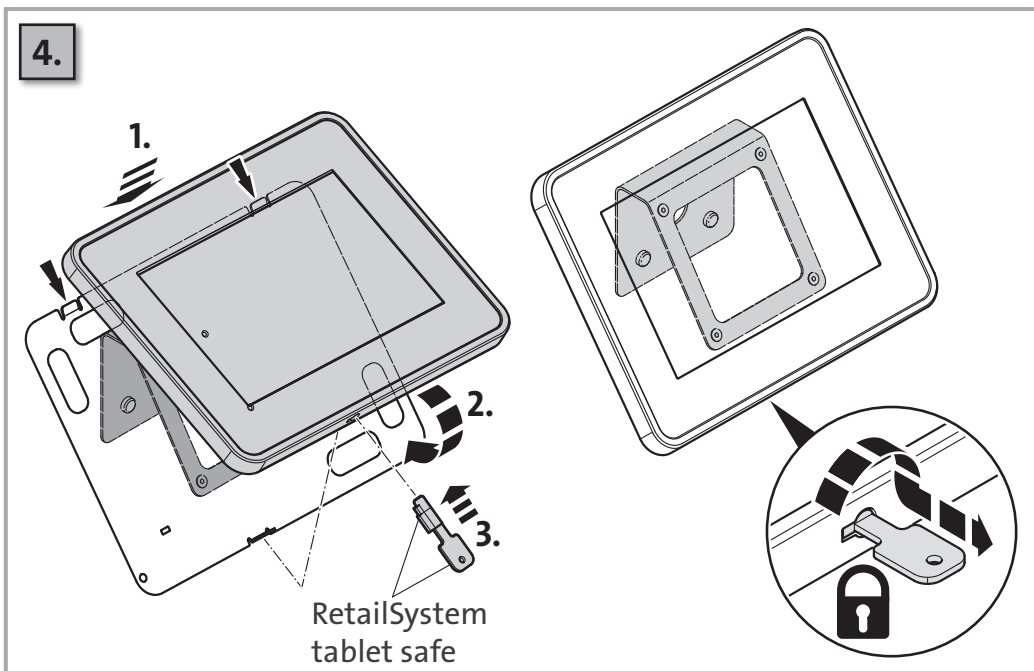
RetailSystem
tablet safe

F



3.





Headquarters:

Novus Dahle GmbH & Co. KG
 Breslauer Straße 34-38
 49808 Lingen
 Germany

Service contact:

Novus Dahle GmbH & Co. KG
 Hessenweg 53
 49811 Lingen
 Germany
 Tel.: +49 (0) 591 9140-457
 Fax: +49 (0) 591 9140-841
 E-Mail: info@novus.de
 Web: www.novus.de

© Copyright 2015 by Novus Dahle GmbH & Co. KG

NOVUS[®]
www.novus.de